

Always on course

The new
three-way ball valve
type 543

The system at a glance

The new three-way ball valve type 543 from GF Piping Systems offers a universal model series with a wide range of options for all versions – from the manual valve to the actuated. The ball valve is the perfect valve for demanding mixing and diverting processes. It follows the design of the ball valve type 546 and is available in the dimensions DN10 to DN50.

Horizontal or vertical: the perfect ball valve

The new 543 three-way ball valve provides quality, flexibility and reliability – in both the horizontal and the vertical versions. The horizontal version comes with an L or T bore and is available in PVC-U, PVC-C, ABS, PP-H and PVDF. So you have the right valve for all your applications.

The vertical version of the 543 ball valve is available in the materials PVC-U and ABS.

For the vertical model, the third outlet consists of a solvent cement spigot in metric standard.

As an additional version besides the L bore, we also offer a diverter ball for the ball valve.

International focus

Our global line of end connector options corresponds to ISO, BS, ASTM and JIS standards.

Standards and approvals

- EN ISO 16135:
Industrial valves –
Thermoplastic ball valves
- ISO 9393:
Thermoplastic valves for
industrial applications
- DIBt (Deutsches Institut
für Bautechnik), pending
- NSF 61*: System components
for drinking water, pending

*Only products bearing the NSF mark are certified.



Three-way ball valve
with standard handle



Three-way ball valve
with multifunctional handle



Three-way ball valve
with pneumatic actuator



Three-way ball valve
with electric
actuator EA 21



Three-way ball valve
with standard handle

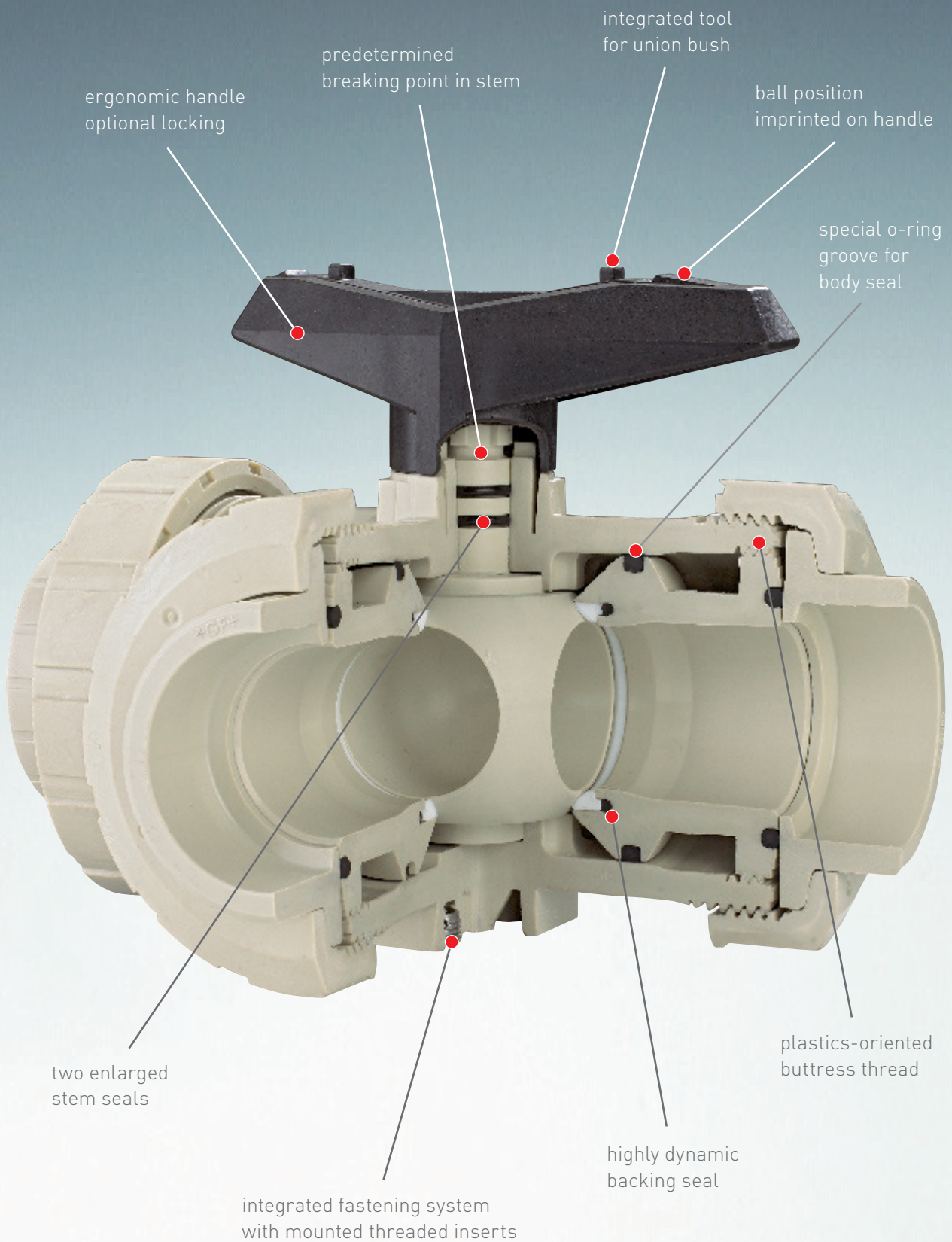


Three-way ball valve
vertical with standard
handle



Three-way ball valve
vertical with electric
actuator EA 21

● Convincing design



Perfection in detail

L-bore, 5 functions



Basic position for diverting function



Mixing function with reduced flow



Diverting function



Outlet closed, passage open with reduced flow



Shut-off function

In the ball valve series from GF Piping Systems, attention has been given to every last detail of the individual components. Functionality and design have been perfected so that we can – as always – offer our customers a reliable and intelligent solution.

Easy installation

The ball valve type 543 features integrated threaded inserts. It can be installed directly and rapidly. There is no need to attach complicated fixtures to the valve. The mounting plate from the ball valve type 546 can be used for installation.

Modular solution

With the assembly kit, you can transform the manual three-way ball valve into an actuated valve with a variety of functions. The module can be used as a standard mechanical interface thanks to the all-plastic housing, the sturdy design and secure fastening on the ball valve. It also enables direct connection of electric and pneumatic actuators.

Lockable handle

Comfort and safety are the outstanding features of the multifunctional handle:

- indexing in 45° increments
- exact, safe positioning of the ball
- lockable and therefore protected against unauthorized access
- made of robust PPGF (polypropylene fiberglass-reinforced)



Fast mounting

The preassembled threaded inserts made of stainless steel permit direct installation



Optimal connection

The assembly kit as interface for actuators



Exact positioning

The lockable multifunctional handle



Reliable connection

The plastics-oriented buttress thread withstands maximum forces



Perfect placement

The 90° stop can be placed in four positions as a clip-on ring



Hidden talents

The handle contains the tool for adjusting the union handle

Perfect for Plastics

In developing the buttress thread for the ball valve type 543, a plastics-oriented connection technology was realized and implemented. Compared to the trapezoid thread, the buttress thread offers the following advantages:

- ca. 50% better coverage of the thread flanks
- no radial force components due to contact of the vertical flanks in the loading direction
- max. protection against the union nut loosening and jumping off in case of water hammer

Defined handle operation

The new 90° stop enables using the lever in defined positions of 90°. The specially designed housing of the ball valve enables placing it in diverse positions by means of a clip-on ring. The handle stop is made of robust PPGF and can be used for all materials. It is covered by the handle and therefore not visible from the outside.

Multitalented

The fiberglass-reinforced polypropylene (PPGF) handle is more than just a handle – it also contains the tool for adjusting the union bushes. Another new feature is the marking imprinted on the handle for the various ball positions. This marking cannot be removed.

T-bore, 4 functions



Basic position for mixing function



Diverting function



Outlet closed, passage open

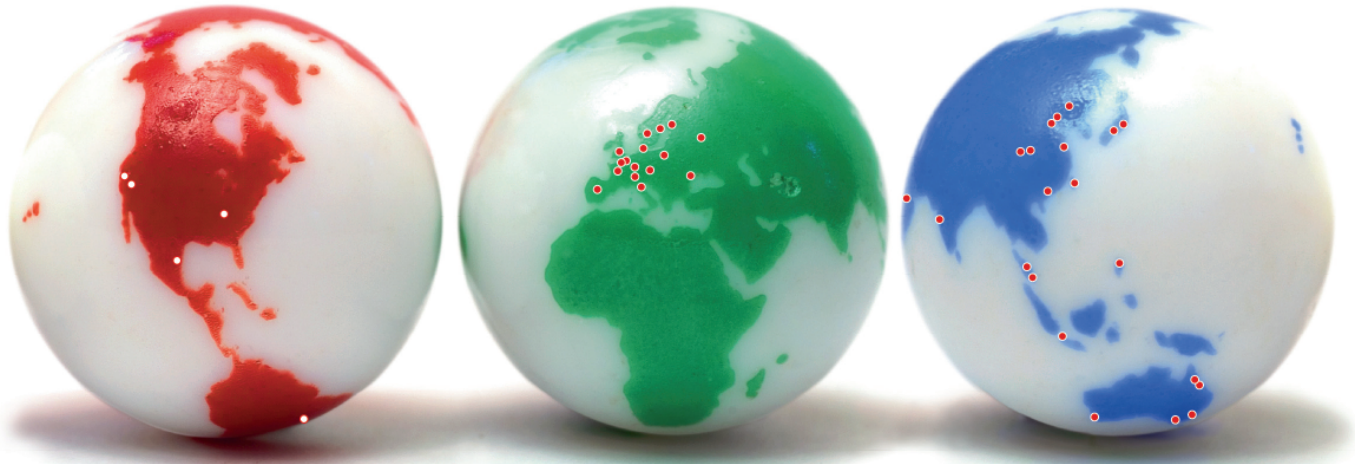


Diverting function

GF Piping Systems → worldwide at home

Our sales companies and representatives ensure local customer support in over 100 countries.

www.piping.georgfischer.com



The technical data is not binding. They neither constitute expressly warranted characteristics nor guaranteed properties nor a guaranteed durability. They are subject to modification. Our General Terms of Sale apply.

Adding Quality to People's Lives

Australia

George Fischer Pty Ltd
Riverwood NSW 2210 Australia
Phone +61(0)2 9502 8000
australia.ps@georgfischer.com
www.georgfischer.com.au

Austria

Georg Fischer
Rohrleitungssysteme GmbH
3130 Herzogenburg
Phone +43(0)2782 856 43-0
austria.ps@georgfischer.com
www.georgfischer.at

Belgium/Luxembourg

Georg Fischer NV/SA
1070 Bruxelles/Brüssel
Phone +32(0)2 556 40 20
be.ps@georgfischer.com
www.georgfischer.be

Brazil

George Fischer Ltda
04795-100 São Paulo
Phone +55(0)11 5687 1311
br.ps@georgfischer.com

China

Georg Fischer
Piping Systems Ltd Shanghai
Pudong, Shanghai 201319
Phone +86(0)21 58 13 33 33
china.ps@georgfischer.com
www.cn.piping.georgfischer.com

Denmark/Iceland

Georg Fischer A/S
2630 Taastrup
Phone +45 (0)70 22 19 75
info.dk.ps@georgfischer.com
www.georgfischer.dk

France

Georg Fischer SAS
95932 Roissy Charles de Gaulle Cedex
Phone +33(0)1 41 84 68 84
fr.ps@georgfischer.com
www.georgfischer.fr

Germany

Georg Fischer GmbH
73095 Albershausen
Phone +49(0)7161 302-0
info.de.ps@georgfischer.com
www.georgfischer.de

India

Georg Fischer Piping Systems Ltd
400 076 Mumbai
Phone +91 224007 2001
in.ps@georgfischer.com
www.georgfischer.in

Italy

Georg Fischer S.p.A.
20063 Cernusco S/N (MI)
Phone +3902 921 861
it.ps@georgfischer.com
www.georgfischer.it

Japan

Georg Fischer Ltd
556-0011 Osaka,
Phone +81(0)6 6635 2691
jp.ps@georgfischer.com
www.georgfischer.jp

Korea

Georg Fischer Piping Systems
Guro-3 dong, Guro-gu, Seoul, Korea
Phone +82(0)2 2081 1450
Fax +82(0)2 2081 1453
kor.ps@georgfischer.com

Malaysia

Georg Fischer (M) Sdn. Bhd.
40460 Shah Alam, Selangor
Phone +60 (0)3 5122 5585
conne.kong@georgfischer.com

Mexico

Georg Fischer S.A. de C.V.
Apodaca, Nuevo Leon
CP66636 Mexico
Phone +52 (81)1340 8586
Fax +52 (81)1522 8906

Middle East

Georg Fischer Piping Systems
Dubai, United Arab Emirates
Phone +971 4 289 41 20
gfdubai@emirates.net.ae
www.piping.georgfischer.com

Netherlands

Georg Fischer N.V.
8161 PA Epe
Phone +31(0)578 678 222
nl.ps@georgfischer.com
www.georgfischer.nl

Norway

Georg Fischer AS
1351 Rud
Phone +47(0)67 18 29 00
no.ps@georgfischer.com
www.georgfischer.no

Poland

Georg Fischer Sp. z o.o.
02-226 Warszawa
Phone +48(0)22 313 10 50
poland.ps@georgfischer.com
www.georgfischer.pl

Romania

Georg Fischer
Piping Systems Ltd
020257 Bucharest - Sector 2
Phone +40(0)21 230 53 80
ro.ps@georgfischer.com

Russia

Georg Fischer Piping Systems
Moscow 125047
Tel. +7 495 258 60 80
ru.ps@georgfischer.com

Singapore

Georg Fischer Pte Ltd
528 872 Singapore
Phone +65(0)67 47 06 11
sgp.ps@georgfischer.com
www.georgfischer.com.sg

Spain/Portugal

Georg Fischer S.A.
28046 Madrid
Phone +34(0)91 781 98 90
es.ps@georgfischer.com
www.georgfischer.es

Sweden/Finland

Georg Fischer AB
12523 Älvsjö - Stockholm
Phone +46(0)8 506 775 00
info.se.ps@georgfischer.com
www.georgfischer.se

Switzerland

Georg Fischer
Rohrleitungssysteme [Schweiz] AG
8201 Schaffhausen
Phone +41(0)52 631 30 26
ch.ps@georgfischer.com
www.piping.georgfischer.ch

Taiwan

Georg Fischer Piping Systems
San Chung City, Taipei Hsien
Phone +886 2 8512 2822 Ext. 15
Fax +886 2 8512 2823

United Kingdom/Ireland

Georg Fischer Sales Limited
Coventry, CV2 2ST
Phone +44(0)2476 535 535
uk.ps@georgfischer.com
www.georgfischer.co.uk

USA/Canada/Latin America/Caribbean

Georg Fischer LLC
Tustin, CA 92780-7258
Phone +1(714) 731 88 00
Toll Free 800 854 40 90
us.ps@georgfischer.com
www.us.piping.georgfischer.com

Export

Georg Fischer
Piping Systems (Switzerland) Ltd.
8201 Schaffhausen
Phone +41(0)52 631 30 03
Fax +41(0)52 631 28 93
info.export@georgfischer.com
www.piping.georgfischer.ch

GMST 6102/4 (3 .08)

© Georg Fischer Piping Systems Ltd.
8201 Schaffhausen/Switzerland, 2008
Printed in Switzerland

+GF+

GEORG FISCHER
PIPING SYSTEMS