

### THREE PHASE: 3 kVA - 9 kVA Epoxy Encapsulated

Series 76 ISO-Shield

#### Features

- **UL Listed, File E3210.**
- **CSA Certified, File LR 560.**
- **Electrostatic shield** between primary and secondary windings provides cleaner output voltage and helps to reduce spikes and transients.
- **Epoxy-silica encapsulated** core and coil provides a transformer particularly well suited for harsh commercial and industrial applications.
- **Copper windings** and copper lead wire terminations used throughout.
- **UL Class 180°C insulation system** with a 115°C temperature rise at a maximum ambient of 40°C.
- **NEMA-3R**, wall mount enclosure suitable for indoor or outdoor use. **No extra rainshields required for outdoor use.**



3 - 9 kVA

- **Multiple knockouts** provide convenient conduit entry and exit locations through the front and bottom access wiring compartment covers.
- **Ground studs** provided for bonding compatibility with both metallic and nonmetallic conduit.
- **Nonstandard designs** are available by consulting the factory or your Dongan representative.

### THREE PHASE: 15 kVA - 150 kVA Ventilated

Series 63 ISO-Shield

#### Features

- **UL Listed, File E78234.**
- **CSA Certified, File LR 560.**
- **Electrostatic shield** between primary and secondary windings provides cleaner output voltage and helps to reduce spikes and transients.
- **Aluminum windings** connect to bus bar style terminations equipped with NEMA standard holes for compression style or ring terminals.
- **UL Class 220°C insulation system** with 150°C temperature rise at full load and a maximum ambient of 40°C.
- **NEMA-3R**, ventilated, cabinet style, floor mount enclosure suitable for indoor or outdoor use. **No extra rainshields required for outdoor use.**
- **Vibration dampening pads** provide quiet operation.



15 - 150 kVA

- **Wall Mounting brackets** are available in sizes up to 75 kVA.
- **Ground studs** provided for bonding compatibility with both metallic and nonmetallic conduit.
- **Core and coil and nonstandard designs** are available by consulting the factory or your Dongan representative.

## Three Phase - General Purpose

### THREE PHASE: 3 kVA - 9 kVA Ventilated

Series 63 Scott Connected

#### Features

- **UL Listed, File E3210.**
- **CSA Certified, File LR 560.**
- **Copper windings** and copper lead wire terminations used throughout.
- **UL Class 180°C insulation system** with a 115°C temperature rise at a maximum ambient of 40°C.
- **NEMA-3R**, wall mount enclosure suitable for vertical mount in indoor or outdoor applications. **No extra rainshields required for outdoor use.**
- **Multiple knockouts** provide convenient conduit entry and exit locations through the side and back of the wiring compartment.
- **Ground studs** provided for bonding compatibility with both metallic and nonmetallic conduit.



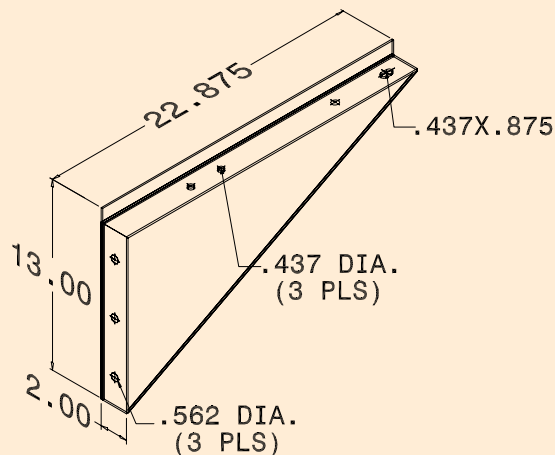
3 - 9 kVA

- **Slim profile** provides convenient mounting for space limited areas.
- **Neutral (X0)** provided on three phase, 4 wire transformers.

### THREE PHASE: 15 kVA - 75 kVA

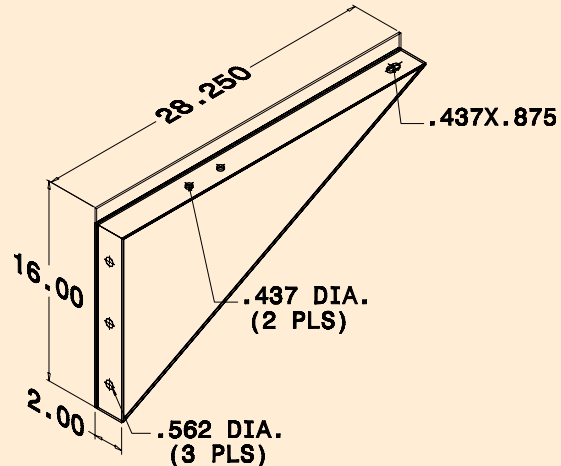
63 Series Optional Wall Mounting Brackets

Three Phase 15 kVA - 45 kVA



Catalog No. BR - 890

Three Phase 75 kVA



Catalog No. BR - 892

## Three Phase - General Purpose

DONGAN ELECTRIC MANUFACTURING CO. • 2987 FRANKLIN • DETROIT, MI 48207  
 800.428.2626 • 313.567.8500 • FAX 313.567.8828 • www.dongan.com

### Primary Volts 480 Delta, Secondary Volts 240 Delta, 60 Hz

May be used on a 480Y / 277 Volt Supply

General Information			Winding Specifications				Dimensions			
kVA* Cap.	Catalog Number	Wgt. Lbs	Taps	Maximum Amps		Conn Dia. Pg. 32	Height A	Width B	Depth C	Outline Dwg.
				Pri.	Sec.					
3.0	76-0203SH	140	0	3.6	7.2	2	14.00	16.00	7.75	1
6.0	76-0206SH	212	0	7.2	14.4	2	18.00	20.00	9.50	1
9.0	76-0209SH	265	0	10.8	21.6	2	18.00	20.00	9.50	1
15.0	63-6215SH	230	6	18	36	3	23.50	18.88	18.50	2
25.0	63-6225SH	255	6	30	60	3	29.00	24.25	20.88	2
30.0	63-6230SH	326	6	36	72	3	29.00	24.25	20.88	2
45.0	63-6245SH	460	6	54	108	3	29.00	24.25	20.88	2
75.0	63-6275SH	722	6	90	180	3	32.00	27.25	26.25	2
112.5	63-62112SH	1001	6	135	270	3	41.00	34.25	26.75	2
150.0	63-62150SH	1255	6	180	361	3	41.00	34.25	26.75	2

\*Transformers 15 kVA through 150 kVA are equipped with a 120 volt lighting tap. Lighting tap capacity is limited to 5% of nameplate rating distributed equally on either side of XO.

Connection Diagrams may be found on Pg. 32

#### Tap Configurations:

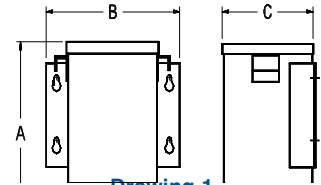
- 0 = No Taps
- 2 = 1 - 5% FCAN, 1 - 5% FCBN
- 4 = 2 - 2½% FCAN, 2 - 2½% FCBN
- 6 = 2 - 2½% FCAN, 4 - 2½% FCBN

Dimensions & weights may change. Consult factory for certified drawings.

### Primary Volts 480 Delta, Secondary Volts 208Y / 120, 60 Hz

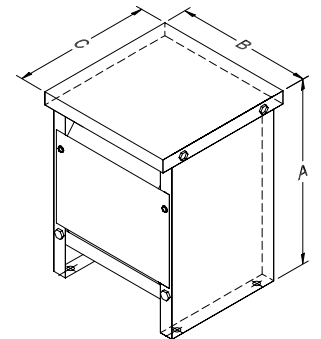
May be used on a 480Y / 277 Volt Supply

General Information			Winding Specifications				Dimensions			
kVA Cap.	Catalog Number	Wgt. Lbs	Taps	Maximum Amps		Conn Dia. Pg. 32	Height A	Width B	Depth C	Outline Dwg.
				Pri.	Sec.					
3.0	76-0303SH	140	0	3.6	8.3	5	14.00	16.00	7.75	1
6.0	76-0306SH	212	0	7.2	16.6	5	18.00	20.00	9.50	1
9.0	76-0309SH	265	0	10.8	25	5	18.00	20.00	9.50	1
15.0	63-6315SH	230	6	18	41	6	23.50	18.88	18.50	2
25.0	63-6325SH	255	6	30	69	6	29.00	24.25	20.88	2
30.0	63-6330SH	326	6	36	83	6	29.00	24.25	20.88	2
45.0	63-6345SH	460	6	54	125	6	29.00	24.25	20.88	2
75.0	63-6375SH	722	6	90	208	6	32.00	27.25	26.25	2
112.5	63-63112SH	1001	6	135	312	6	41.00	34.25	26.75	2
150.0	63-63150SH	1255	6	180	416	6	41.00	34.25	26.75	2



Drawing 1  
3 - 9 kVA

Wall Mount - Encapsulated - NEMA 3R



Drawing 2  
15 - 150 kVA

Floor Mount - Ventilated - NEMA 3R

## Three Phase - General Purpose

### Primary 600 Delta, Secondary 240 Delta, 60 Hz

General Information			Winding Specifications				Dimensions			
kVA* Cap.	Catalog Number	Wgt. Lbs	Taps	Maximum Amps		Conn Dia. Pg. 33	Height A	Width B	Depth C	Outline Dwg.
				Pri.	Sec.					
3.0	76-01003SH	140	0	2.8	7.2	9	14.00	16.00	7.75	1
6.0	76-01006SH	212	0	5.7	14.4	9	18.00	20.00	9.50	1
9.0	76-01009SH	265	0	8.6	21.6	9	18.00	20.00	9.50	1
15	63-61015SH	230	6	14.4	36.1	10	23.50	18.88	18.50	2
25	63-61025SH	255	6	24.0	60	10	29.00	24.25	20.88	2
30	63-61030SH	326	6	28.9	72	10	29.00	24.25	20.88	2
45	63-61045SH	460	6	43.3	108	10	29.00	24.25	20.88	2
75	63-61075SH	722	6	72	180	10	32.00	27.25	26.25	2
112.5	63-610112SH	1001	6	108	270	10	41.00	34.25	26.75	2
150	63-610150SH	1255	6	144	361	10	41.00	34.25	26.75	2

\*Transformers 15 kVA through 150 kVA are equipped with a 120 volt lighting tap. Lighting tap capacity is limited to 5% of nameplate rating distributed equally on either side of XO.

Connection Diagrams may be found on Pg. 33

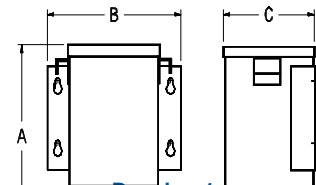
#### Tap Configurations:

0 = No Taps  
 2 = 1 - 5% FCAN, 1 - 5% FCBN  
 4 = 2 - 2½% FCAN, 2 - 2½% FCBN  
 6 = 2 - 2½% FCAN, 4 - 2½% FCBN

Dimensions & weights may change. Consult factory for certified drawings.

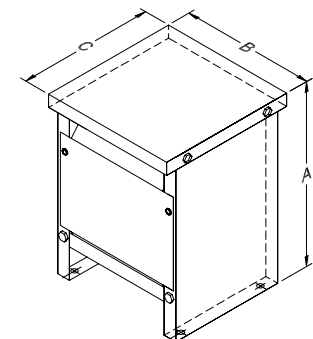
### Primary 600 Delta, Secondary 208Y / 120, 60 Hz

General Information			Winding Specifications				Dimensions			
kVA Cap.	Catalog Number	Wgt. Lbs	Taps	Maximum Amps		Conn Dia. Pg. 33	Height A	Width B	Depth C	Outline No.
				Pri.	Sec.					
3.0	76-0003SH	140	0	2.8	8.3	11	14.00	16.00	7.75	1
6.0	76-0006SH	212	0	5.7	7.2	11	18.00	20.00	9.50	1
9.0	76-0009SH	265	0	8.6	10.8	11	18.00	20.00	9.50	1
15	63-6015SH	230	6	14.4	41.6	12	23.50	18.88	18.50	2
25	63-6025SH	255	6	24.0	69	12	29.00	24.25	20.88	2
30	63-6030SH	326	6	28.9	83	12	29.00	24.25	20.88	2
45	63-6045SH	460	6	43.3	125	12	29.00	24.25	20.88	2
75	63-6075SH	722	6	72	208	12	32.00	27.25	26.25	2
112.5	63-60112SH	1001	6	108	312	12	41.00	34.25	26.75	2
150	63-60150SH	1255	6	144	416	12	41.00	34.25	26.75	2



Drawing 1  
3 - 9 kVA

Wall Mount - Encapsulated - NEMA 3R



Drawing 2  
15 - 150 kVA

Floor Mount - Ventilated - NEMA 3R

### Primary 240 Delta, Secondary 208Y / 120, 60 Hz

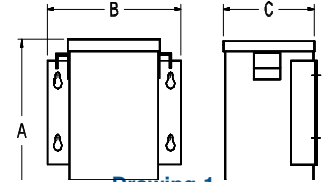
General Information			Winding Specifications				Dimensions			
kVA Cap.	Catalog Number	Wgt. Lbs	Taps	Maximum Amps		Conn Dia. Pg. 33	Height A	Width B	Depth C	Outline Dwg.
				Pri.	Sec.					
3.0	76-0603SH	140	0	7.2	8.3	7	14.00	16.00	7.75	1
6.0	76-0606SH	212	0	14.4	16.6	7	18.00	20.00	9.50	1
9.0	76-0609SH	265	0	21.6	25	7	18.00	20.00	9.50	1
15	63-6615SH	230	6	36.1	41	8	23.50	18.88	18.5	2
25	63-6625SH	255	6	60	69	8	29.00	24.25	20.88	2
30	63-6630SH	326	6	72	83	8	29.00	24.25	20.88	2
45	63-6645SH	460	6	108	125	8	29.00	24.25	20.88	2

## VENTILATED SCOTT CONNECTED

**Primary Volts 480 Delta,  
Secondary Volts 240 Delta, 60 Hz**

May be used on a 480Y / 277 Volt Supply

General Information			Winding Specifications				Dimensions			
kVA* Cap.	Catalog Number	Wgt. Lbs	Taps	Maximum Amps		Conn Dia. Pg. 32	Height A	Width B	Depth C	Outline Dwg.
				Pri.	Sec.					
3.0	63-0203	65	0	3.6	7.2	1	15.75	6.63	5.88	3
6.0	63-0206	98	0	7.2	14.4	1	20.25	7.69	6.75	3
9.0	63-0209	164	0	10.8	21.6	1	25.63	7.69	6.75	3

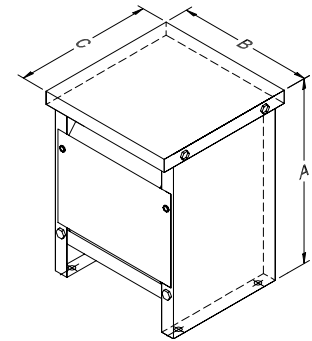


**Drawing 1**  
3 - 9 kVA  
Wall Mount - Encapsulated - NEMA 3R

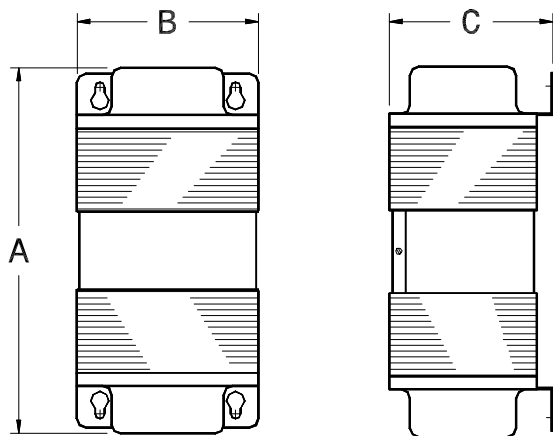
**Primary Volts 480 Delta,  
Secondary Volts 208Y / 120, 60 Hz**

May be used on a 480Y / 277 Volt Supply

General Information			Winding Specifications				Dimensions			
kVA Cap.	Catalog Number	Wgt. Lbs	Taps	Maximum Amps		Conn Dia. Pg. 32	Height A	Width B	Depth C	Outline Dwg.
				Pri.	Sec.					
3.0	63-0303	65	0	3.6	8.3	4	15.75	6.63	5.88	3
6.0	63-0306	98	0	7.2	16.6	4	20.25	7.69	6.75	3
9.0	63-0309	164	0	10.8	25.0	4	25.63	7.69	6.75	3



**Drawing 2**  
15 - 150 kVA  
Floor Mount - Ventilated - NEMA 3R



**Drawing 3**  
3 - 9 kVA, Scott Connected  
Wall Mount - Ventilated - NEMA 3R

Connection Diagrams may be found on Pg. 32

**Tap Configurations:**

- 0 = No Taps
- 2 = 1 - 5% FCAN, 1 - 5% FCBN
- 4 = 2 - 2½% FCAN, 2 - 2½% FCBN
- 6 = 2 - 2½% FCAN, 4 - 2½% FCBN

Dimensions & weights may change. Consult factory for certified drawings.

## Three Phase - General Purpose

### ADDITIONAL VOLTAGE COMBINATIONS AVAILABLE

Prefix 63 = UL Listed File E78234, CSA Certified LR 560

Prefix 76 = UL Listed File E3210, CSA Certified File LR 560

General Information								
Pri.	208 Δ	208 Δ	380 Δ	380 Δ	380 Δ	400 Δ	Wgt. (lbs) 60 Hz.	Outline Dwg.
Sec.	208Y/120	480Y/277	208Y/120	240 Δ	480 Δ	220Y/127		
Hz.	60	60	50/60*	50/60*	50/60*	50/60*		
kVA Cap.	Catalog Number	Catalog Number	Catalog Number	Catalog Number	Catalog Number	Catalog Number		
3	76-3-1161SH	76-3-704SH	76-3-407	76-3-594	76-3-834	76-3-2993	140	1
6	76-6-1161SH	76-6-704SH	76-6-407	76-6-594	76-6-834	76-6-2993	212	1
9	76-9-1161SH	76-9-704SH	76-9-407	76-9-594	76-9-834	76-9-2993	265	1
15	63-15-1161SH	63-15-704SH	63-15-407	63-15-594	63-15-834	63-15-2993	230	2
30	63-30-1161SH	63-30-704SH	63-30-407	63-30-594	63-30-834	63-30-2993	326	2
45	63-45-1161SH	63-45-704SH	63-45-407	63-45-594	63-45-834	63-45-2993	460	2
75	63-75-1161SH	63-75-704SH	63-75-407	63-75-594	63-75-834	63-75-2993	722	2
112.5	63-112-1161SH	63-112-704SH	63-112-407	63-112-594	63-112-834	63-112-2993	1001	2
150	63-150-1161SH	63-150-704SH	63-150-407	63-150-594	63-150-834	63-150-2993	1255	2

General Information								
Pri.	415 Δ	415 Δ	480 Δ	600 Δ	600 Δ	400 Δ	Wgt. (lbs) 60 Hz.	Outline Dwg.
Sec.	208Y/120	240 Δ	480Y/277	380Y/220	480Y/277	600Y/347		
Hz.	50/60*	50/60*	60	60	60	50/60*		
kVA Cap.	Catalog Number	Catalog Number	Catalog Number	Catalog Number	Catalog Number	Catalog Number		
3	76-3-3117	76-3-730	76-3-264SH	76-3-1937	76-3-2995SH	76-3-2996	140	1
6	76-6-3117	76-6-730	76-6-264SH	76-6-1937	76-6-2995SH	76-6-2996	212	1
9	76-9-3117	76-9-730	76-9-264SH	76-9-1937	76-9-2995SH	76-9-2996	265	1
15	63-15-3117	63-15-730	63-15-264SH	63-15-1937	63-15-2995SH	63-15-2996	230	2
30	63-30-3117	63-30-730	63-30-264SH	63-30-1937	63-30-2995SH	63-30-2996	326	2
45	63-45-3117	63-45-730	63-45-264SH	63-45-1937	63-45-2995SH	63-45-2996	460	2
75	63-75-3117	63-75-730	63-75-264SH	63-75-1937	63-75-2995SH	63-75-2996	722	2
112.5	63-112-3117	63-112-730	63-112-264SH	63-112-1937	63-112-2995SH	63-112-2996	1001	2
150	63-150-3117	63-150-730	63-150-264SH	63-150-1937	63-150-2995SH	63-150-2996	1255	2

\*50/60 Hz. units are approximately 20% heavier than 60 Hz. unit weights shown.

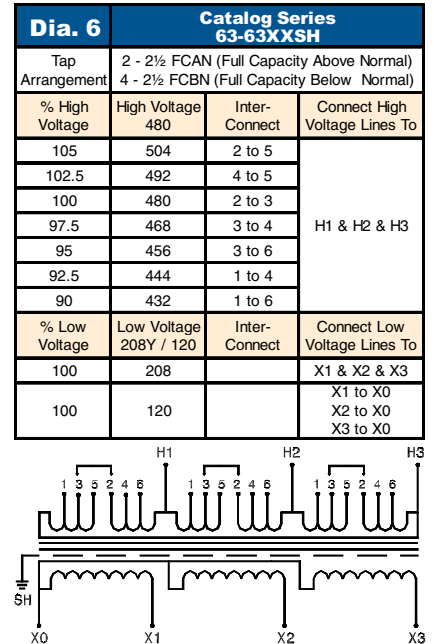
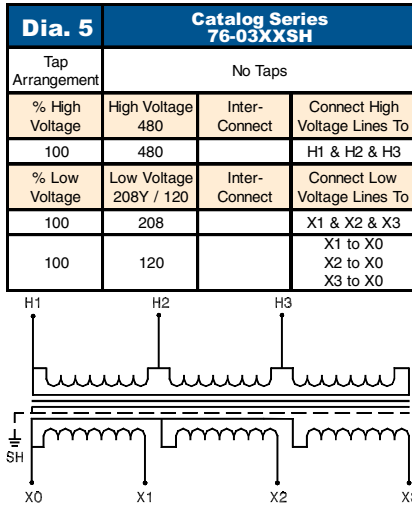
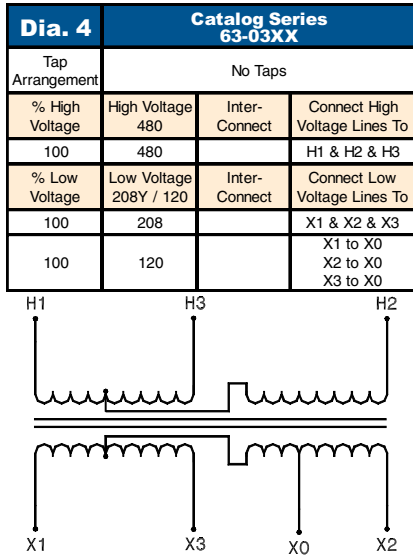
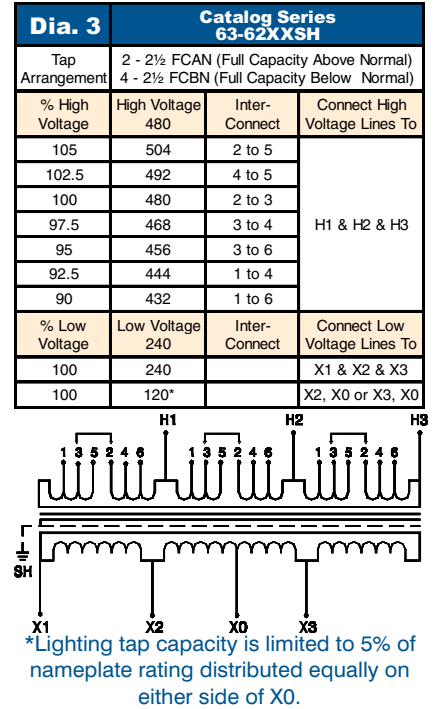
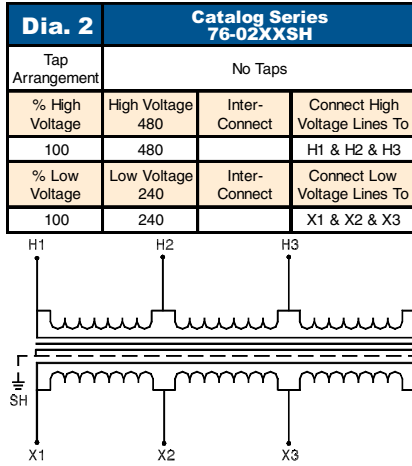
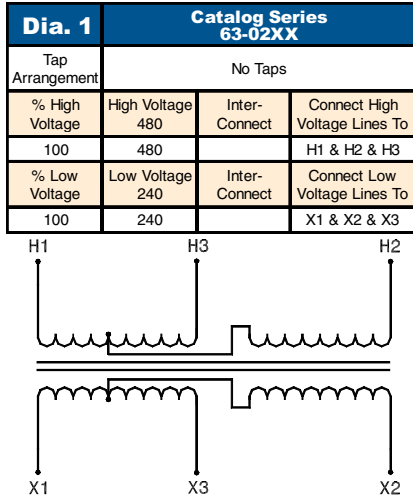
Connection Diagrams furnished upon request.  
Please consult the factory or your Dongan  
Representative for price, delivery and dimensions.

Dongan specializes in rapid delivery of nonstandard kVA, voltage and tap configurations. Send us your request today for a competitive quote on transformers not specifically listed in this catalog. Most special designs are UL listed and CSA certified at no additional cost.

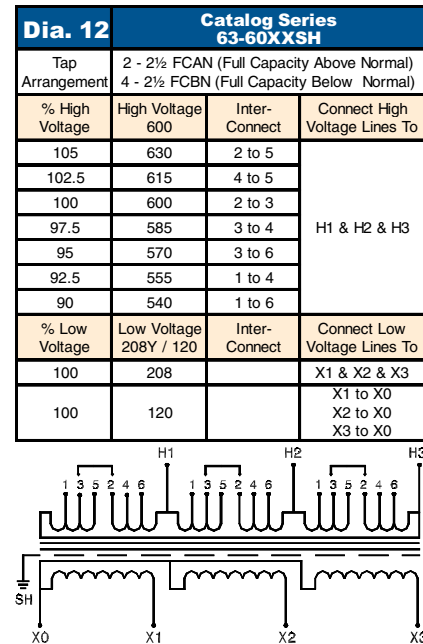
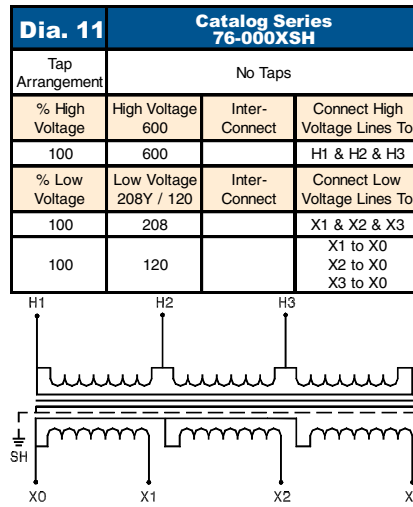
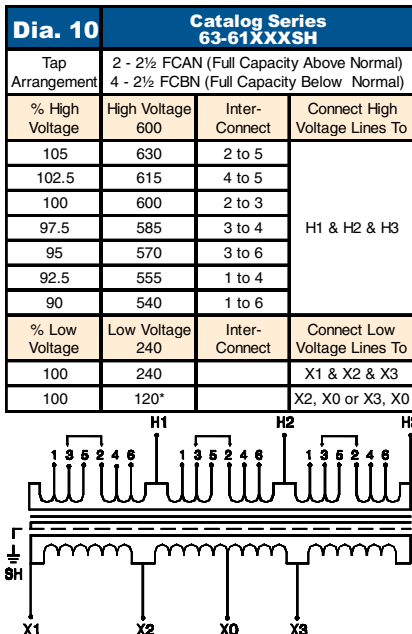
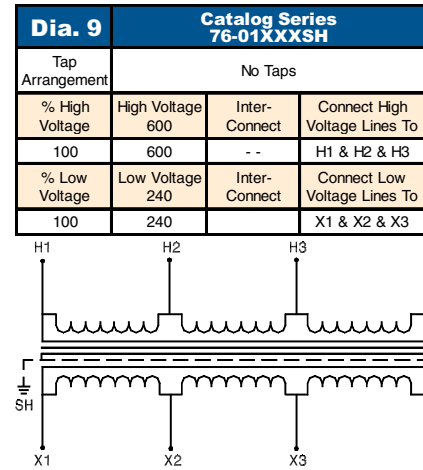
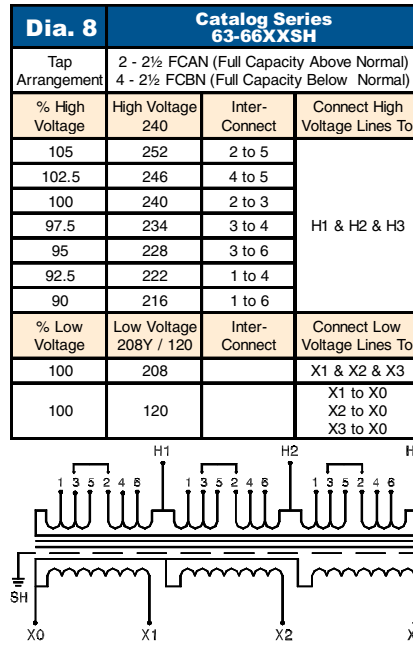
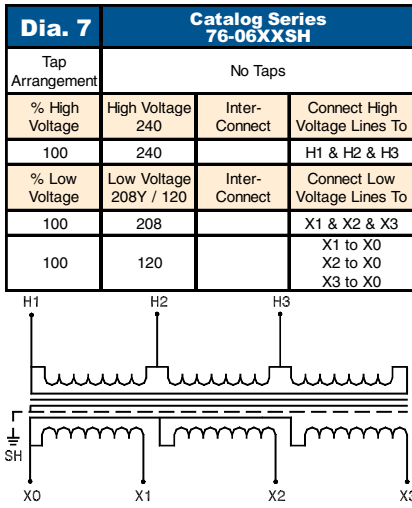


# Three Phase Connection Diagrams

DONGAN ELECTRIC MANUFACTURING CO. • 2987 FRANKLIN • DETROIT, MI 48207  
 800.428.2626 • 313.567.8500 • FAX 313.567.8828 • www.dongan.com



# Three Phase Connection Diagrams



\*Lighting tap capacity is limited to 5% of nameplate rating distributed equally on either side of X0.

DONGAN ELECTRIC MANUFACTURING CO. • 2987 FRANKLIN • DETROIT, MI 48207  
 800.428.2626 • 313.567.8500 • FAX 313.567.8828 • www.dongan.com