

THREE PHASE: 3 kVA - 9 kVA Epoxy Encapsulated

Series 76 ISO-Shield

Features

- **UL Listed, File E3210.**
- **CSA Certified, File LR 560.**
- **Electrostatic shield** between primary and secondary windings provides cleaner output voltage and helps to reduce spikes and transients.
- **Epoxy-silica encapsulated** core and coil provides a transformer particularly well suited for harsh commercial and industrial applications.
- **Copper windings** and copper lead wire terminations used throughout.
- **UL Class 180°C insulation system** with a 115°C temperature rise at a maximum ambient of 40°C.
- **NEMA-3R**, wall mount enclosure suitable for indoor or outdoor use. **No extra rainshields required for outdoor use.**



3 - 9 kVA

- **Multiple knockouts** provide convenient conduit entry and exit locations through the front and bottom access wiring compartment covers.
- **Ground studs** provided for bonding compatibility with both metallic and nonmetallic conduit.
- **Nonstandard designs** are available by consulting the factory or your Dongan representative.

THREE PHASE: 15 kVA - 150 kVA Ventilated

Series 63 ISO-Shield

Features

- **UL Listed, File E78234.**
- **CSA Certified, File LR 560.**
- **Electrostatic shield** between primary and secondary windings provides cleaner output voltage and helps to reduce spikes and transients.
- **Aluminum windings** connect to bus bar style terminations equipped with NEMA standard holes for compression style or ring terminals.
- **UL Class 220°C insulation system** with 150°C temperature rise at full load and a maximum ambient of 40°C.
- **NEMA-3R**, ventilated, cabinet style, floor mount enclosure suitable for indoor or outdoor use. **No extra rainshields required for outdoor use.**
- **Vibration dampening pads** provide quiet operation.



15 - 150 kVA

- **Wall Mounting brackets** are available in sizes up to 75 kVA.
- **Ground studs** provided for bonding compatibility with both metallic and nonmetallic conduit.
- **Core and coil and nonstandard designs** are available by consulting the factory or your Dongan representative.

Three Phase - General Purpose

THREE PHASE: 3 kVA - 9 kVA Ventilated

Series 63 Scott Connected

Features

- **UL Listed, File E3210.**
- **CSA Certified, File LR 560.**
- **Copper windings** and copper lead wire terminations used throughout.
- **UL Class 180°C insulation system** with a 115°C temperature rise at a maximum ambient of 40°C.
- **NEMA-3R**, wall mount enclosure suitable for vertical mount in indoor or outdoor applications. **No extra rainshields required for outdoor use.**
- **Multiple knockouts** provide convenient conduit entry and exit locations through the side and back of the wiring compartment.
- **Ground studs** provided for bonding compatibility with both metallic and nonmetallic conduit.



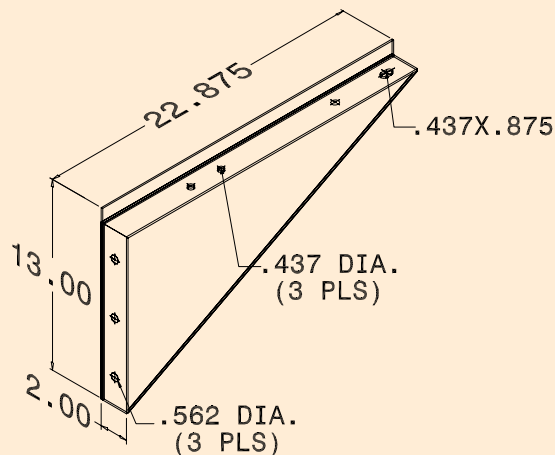
3 - 9 kVA

- **Slim profile** provides convenient mounting for space limited areas.
- **Neutral (X0)** provided on three phase, 4 wire transformers.

THREE PHASE: 15 kVA - 75 kVA

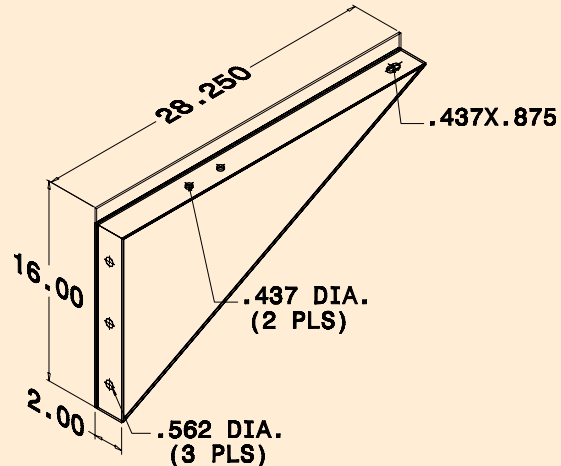
63 Series Optional Wall Mounting Brackets

Three Phase 15 kVA - 45 kVA



Catalog No. BR - 890

Three Phase 75 kVA



Catalog No. BR - 892

Three Phase - General Purpose

DONGAN ELECTRIC MANUFACTURING CO. • 2987 FRANKLIN • DETROIT, MI 48207
 800.428.2626 • 313.567.8500 • FAX 313.567.8828 • www.dongan.com

Primary Volts 480 Delta, Secondary Volts 240 Delta, 60 Hz

May be used on a 480Y / 277 Volt Supply

| General Information | | | Winding Specifications | | | | Dimensions | | | |
|---------------------|-------------------|-------------|------------------------|--------------|------|------------------------|-------------|------------|------------|-----------------|
| kVA* Cap. | Catalog Number | Wgt. Lbs | Taps | Maximum Amps | | Conn Dia. Pg. 32 | Height A | Width B | Depth C | Outline Dwg. |
| | | | | Pri. | Sec. | | | | | |
| 3.0 | 76-0203SH | 140 | 0 | 3.6 | 7.2 | 2 | 14.00 | 16.00 | 7.75 | 1 |
| 6.0 | 76-0206SH | 212 | 0 | 7.2 | 14.4 | 2 | 18.00 | 20.00 | 9.50 | 1 |
| 9.0 | 76-0209SH | 265 | 0 | 10.8 | 21.6 | 2 | 18.00 | 20.00 | 9.50 | 1 |
| 15.0 | 63-6215SH | 230 | 6 | 18 | 36 | 3 | 23.50 | 18.88 | 18.50 | 2 |
| 25.0 | 63-6225SH | 255 | 6 | 30 | 60 | 3 | 29.00 | 24.25 | 20.88 | 2 |
| 30.0 | 63-6230SH | 326 | 6 | 36 | 72 | 3 | 29.00 | 24.25 | 20.88 | 2 |
| 45.0 | 63-6245SH | 460 | 6 | 54 | 108 | 3 | 29.00 | 24.25 | 20.88 | 2 |
| 75.0 | 63-6275SH | 722 | 6 | 90 | 180 | 3 | 32.00 | 27.25 | 26.25 | 2 |
| 112.5 | 63-62112SH | 1001 | 6 | 135 | 270 | 3 | 41.00 | 34.25 | 26.75 | 2 |
| 150.0 | 63-62150SH | 1255 | 6 | 180 | 361 | 3 | 41.00 | 34.25 | 26.75 | 2 |

*Transformers 15 kVA through 150 kVA are equipped with a 120 volt lighting tap. Lighting tap capacity is limited to 5% of nameplate rating distributed equally on either side of XO.

Connection Diagrams may be found on Pg. 32

Tap Configurations:

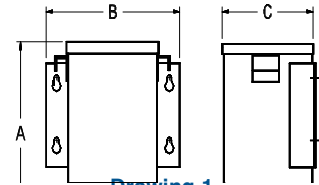
- 0 = No Taps
- 2 = 1 - 5% FCAN, 1 - 5% FCBN
- 4 = 2 - 2½% FCAN, 2 - 2½% FCBN
- 6 = 2 - 2½% FCAN, 4 - 2½% FCBN

Dimensions & weights may change. Consult factory for certified drawings.

Primary Volts 480 Delta, Secondary Volts 208Y / 120, 60 Hz

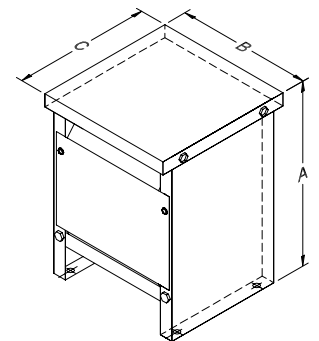
May be used on a 480Y / 277 Volt Supply

| General Information | | | Winding Specifications | | | | Dimensions | | | |
|---------------------|-------------------|-------------|------------------------|--------------|------|------------------------|-------------|------------|------------|-----------------|
| kVA Cap. | Catalog Number | Wgt. Lbs | Taps | Maximum Amps | | Conn Dia. Pg. 32 | Height A | Width B | Depth C | Outline Dwg. |
| | | | | Pri. | Sec. | | | | | |
| 3.0 | 76-0303SH | 140 | 0 | 3.6 | 8.3 | 5 | 14.00 | 16.00 | 7.75 | 1 |
| 6.0 | 76-0306SH | 212 | 0 | 7.2 | 16.6 | 5 | 18.00 | 20.00 | 9.50 | 1 |
| 9.0 | 76-0309SH | 265 | 0 | 10.8 | 25 | 5 | 18.00 | 20.00 | 9.50 | 1 |
| 15.0 | 63-6315SH | 230 | 6 | 18 | 41 | 6 | 23.50 | 18.88 | 18.50 | 2 |
| 25.0 | 63-6325SH | 255 | 6 | 30 | 69 | 6 | 29.00 | 24.25 | 20.88 | 2 |
| 30.0 | 63-6330SH | 326 | 6 | 36 | 83 | 6 | 29.00 | 24.25 | 20.88 | 2 |
| 45.0 | 63-6345SH | 460 | 6 | 54 | 125 | 6 | 29.00 | 24.25 | 20.88 | 2 |
| 75.0 | 63-6375SH | 722 | 6 | 90 | 208 | 6 | 32.00 | 27.25 | 26.25 | 2 |
| 112.5 | 63-63112SH | 1001 | 6 | 135 | 312 | 6 | 41.00 | 34.25 | 26.75 | 2 |
| 150.0 | 63-63150SH | 1255 | 6 | 180 | 416 | 6 | 41.00 | 34.25 | 26.75 | 2 |



Drawing 1
3 - 9 kVA

Wall Mount - Encapsulated - NEMA 3R



Drawing 2
15 - 150 kVA

Floor Mount - Ventilated - NEMA 3R

Three Phase - General Purpose

Primary 600 Delta, Secondary 240 Delta, 60 Hz

| General Information | | | Winding Specifications | | | | Dimensions | | | |
|---------------------|-------------------|-------------|------------------------|--------------|------|------------------------|-------------|------------|------------|-----------------|
| kVA* Cap. | Catalog Number | Wgt. Lbs | Taps | Maximum Amps | | Conn Dia. Pg. 33 | Height A | Width B | Depth C | Outline Dwg. |
| | | | | Pri. | Sec. | | | | | |
| 3.0 | 76-01003SH | 140 | 0 | 2.8 | 7.2 | 9 | 14.00 | 16.00 | 7.75 | 1 |
| 6.0 | 76-01006SH | 212 | 0 | 5.7 | 14.4 | 9 | 18.00 | 20.00 | 9.50 | 1 |
| 9.0 | 76-01009SH | 265 | 0 | 8.6 | 21.6 | 9 | 18.00 | 20.00 | 9.50 | 1 |
| 15 | 63-61015SH | 230 | 6 | 14.4 | 36.1 | 10 | 23.50 | 18.88 | 18.50 | 2 |
| 25 | 63-61025SH | 255 | 6 | 24.0 | 60 | 10 | 29.00 | 24.25 | 20.88 | 2 |
| 30 | 63-61030SH | 326 | 6 | 28.9 | 72 | 10 | 29.00 | 24.25 | 20.88 | 2 |
| 45 | 63-61045SH | 460 | 6 | 43.3 | 108 | 10 | 29.00 | 24.25 | 20.88 | 2 |
| 75 | 63-61075SH | 722 | 6 | 72 | 180 | 10 | 32.00 | 27.25 | 26.25 | 2 |
| 112.5 | 63-610112SH | 1001 | 6 | 108 | 270 | 10 | 41.00 | 34.25 | 26.75 | 2 |
| 150 | 63-610150SH | 1255 | 6 | 144 | 361 | 10 | 41.00 | 34.25 | 26.75 | 2 |

*Transformers 15 kVA through 150 kVA are equipped with a 120 volt lighting tap. Lighting tap capacity is limited to 5% of nameplate rating distributed equally on either side of XO.

Connection Diagrams may be found on Pg. 33

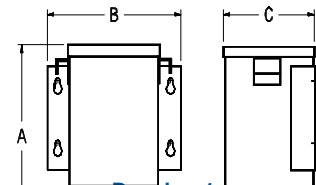
Tap Configurations:

0 = No Taps
 2 = 1 - 5% FCAN, 1 - 5% FCBN
 4 = 2 - 2½% FCAN, 2 - 2½% FCBN
 6 = 2 - 2½% FCAN, 4 - 2½% FCBN

Dimensions & weights may change. Consult factory for certified drawings.

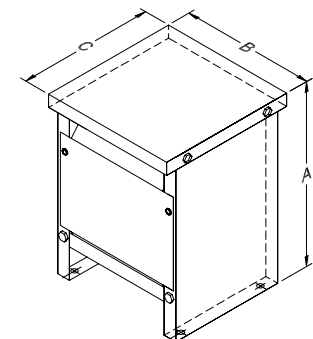
Primary 600 Delta, Secondary 208Y / 120, 60 Hz

| General Information | | | Winding Specifications | | | | Dimensions | | | |
|---------------------|-------------------|-------------|------------------------|--------------|------|------------------------|-------------|------------|------------|----------------|
| kVA Cap. | Catalog Number | Wgt. Lbs | Taps | Maximum Amps | | Conn Dia. Pg. 33 | Height A | Width B | Depth C | Outline No. |
| | | | | Pri. | Sec. | | | | | |
| 3.0 | 76-0003SH | 140 | 0 | 2.8 | 8.3 | 11 | 14.00 | 16.00 | 7.75 | 1 |
| 6.0 | 76-0006SH | 212 | 0 | 5.7 | 7.2 | 11 | 18.00 | 20.00 | 9.50 | 1 |
| 9.0 | 76-0009SH | 265 | 0 | 8.6 | 10.8 | 11 | 18.00 | 20.00 | 9.50 | 1 |
| 15 | 63-6015SH | 230 | 6 | 14.4 | 41.6 | 12 | 23.50 | 18.88 | 18.50 | 2 |
| 25 | 63-6025SH | 255 | 6 | 24.0 | 69 | 12 | 29.00 | 24.25 | 20.88 | 2 |
| 30 | 63-6030SH | 326 | 6 | 28.9 | 83 | 12 | 29.00 | 24.25 | 20.88 | 2 |
| 45 | 63-6045SH | 460 | 6 | 43.3 | 125 | 12 | 29.00 | 24.25 | 20.88 | 2 |
| 75 | 63-6075SH | 722 | 6 | 72 | 208 | 12 | 32.00 | 27.25 | 26.25 | 2 |
| 112.5 | 63-60112SH | 1001 | 6 | 108 | 312 | 12 | 41.00 | 34.25 | 26.75 | 2 |
| 150 | 63-60150SH | 1255 | 6 | 144 | 416 | 12 | 41.00 | 34.25 | 26.75 | 2 |



Drawing 1
3 - 9 kVA

Wall Mount - Encapsulated - NEMA 3R



Drawing 2
15 - 150 kVA

Floor Mount - Ventilated - NEMA 3R

Primary 240 Delta, Secondary 208Y / 120, 60 Hz

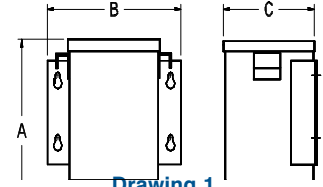
| General Information | | | Winding Specifications | | | | Dimensions | | | |
|---------------------|-------------------|-------------|------------------------|--------------|------|------------------------|-------------|------------|------------|-----------------|
| kVA Cap. | Catalog Number | Wgt. Lbs | Taps | Maximum Amps | | Conn Dia. Pg. 33 | Height A | Width B | Depth C | Outline Dwg. |
| | | | | Pri. | Sec. | | | | | |
| 3.0 | 76-0603SH | 140 | 0 | 7.2 | 8.3 | 7 | 14.00 | 16.00 | 7.75 | 1 |
| 6.0 | 76-0606SH | 212 | 0 | 14.4 | 16.6 | 7 | 18.00 | 20.00 | 9.50 | 1 |
| 9.0 | 76-0609SH | 265 | 0 | 21.6 | 25 | 7 | 18.00 | 20.00 | 9.50 | 1 |
| 15 | 63-6615SH | 230 | 6 | 36.1 | 41 | 8 | 23.50 | 18.88 | 18.5 | 2 |
| 25 | 63-6625SH | 255 | 6 | 60 | 69 | 8 | 29.00 | 24.25 | 20.88 | 2 |
| 30 | 63-6630SH | 326 | 6 | 72 | 83 | 8 | 29.00 | 24.25 | 20.88 | 2 |
| 45 | 63-6645SH | 460 | 6 | 108 | 125 | 8 | 29.00 | 24.25 | 20.88 | 2 |

VENTILATED SCOTT CONNECTED

**Primary Volts 480 Delta,
Secondary Volts 240 Delta, 60 Hz**

May be used on a 480Y / 277 Volt Supply

| General Information | | | Winding Specifications | | | | Dimensions | | | |
|---------------------|-------------------|-------------|------------------------|--------------|------|------------------------|-------------|------------|------------|-----------------|
| kVA* Cap. | Catalog Number | Wgt. Lbs | Taps | Maximum Amps | | Conn Dia. Pg. 32 | Height A | Width B | Depth C | Outline Dwg. |
| | | | | Pri. | Sec. | | | | | |
| 3.0 | 63-0203 | 65 | 0 | 3.6 | 7.2 | 1 | 15.75 | 6.63 | 5.88 | 3 |
| 6.0 | 63-0206 | 98 | 0 | 7.2 | 14.4 | 1 | 20.25 | 7.69 | 6.75 | 3 |
| 9.0 | 63-0209 | 164 | 0 | 10.8 | 21.6 | 1 | 25.63 | 7.69 | 6.75 | 3 |

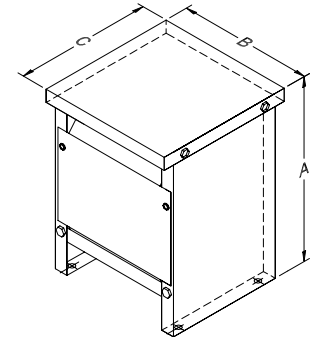


Drawing 1
3 - 9 kVA
Wall Mount - Encapsulated - NEMA 3R

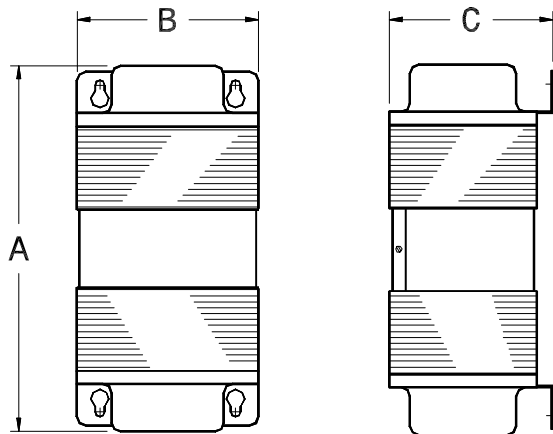
**Primary Volts 480 Delta,
Secondary Volts 208Y / 120, 60 Hz**

May be used on a 480Y / 277 Volt Supply

| General Information | | | Winding Specifications | | | | Dimensions | | | |
|---------------------|-------------------|-------------|------------------------|--------------|------|------------------------|-------------|------------|------------|-----------------|
| kVA Cap. | Catalog Number | Wgt. Lbs | Taps | Maximum Amps | | Conn Dia. Pg. 32 | Height A | Width B | Depth C | Outline Dwg. |
| | | | | Pri. | Sec. | | | | | |
| 3.0 | 63-0303 | 65 | 0 | 3.6 | 8.3 | 4 | 15.75 | 6.63 | 5.88 | 3 |
| 6.0 | 63-0306 | 98 | 0 | 7.2 | 16.6 | 4 | 20.25 | 7.69 | 6.75 | 3 |
| 9.0 | 63-0309 | 164 | 0 | 10.8 | 25.0 | 4 | 25.63 | 7.69 | 6.75 | 3 |



Drawing 2
15 - 150 kVA
Floor Mount - Ventilated - NEMA 3R



Drawing 3
3 - 9 kVA, Scott Connected
Wall Mount - Ventilated - NEMA 3R

Connection Diagrams may be found on Pg. 32

Tap Configurations:

- 0 = No Taps
- 2 = 1 - 5% FCAN, 1 - 5% FCBN
- 4 = 2 - 2½% FCAN, 2 - 2½% FCBN
- 6 = 2 - 2½% FCAN, 4 - 2½% FCBN

Dimensions & weights may change. Consult factory for certified drawings.

Three Phase - General Purpose

ADDITIONAL VOLTAGE COMBINATIONS AVAILABLE

Prefix 63 = UL Listed File E78234, CSA Certified LR 560

Prefix 76 = UL Listed File E3210, CSA Certified File LR 560

| General Information | | | | | | | | |
|---------------------|-------------------|-------------------|-------------------|-------------------|-------------------|-------------------|----------------------------|-----------------|
| Pri. | 208 Δ | 208 Δ | 380 Δ | 380 Δ | 380 Δ | 400 Δ | Wgt. (lbs) 60 Hz. | Outline Dwg. |
| Sec. | 208Y/120 | 480Y/277 | 208Y/120 | 240 Δ | 480 Δ | 220Y/127 | | |
| Hz. | 60 | 60 | 50/60* | 50/60* | 50/60* | 50/60* | | |
| kVA Cap. | Catalog Number | Catalog Number | Catalog Number | Catalog Number | Catalog Number | Catalog Number | | |
| 3 | 76-3-1161SH | 76-3-704SH | 76-3-407 | 76-3-594 | 76-3-834 | 76-3-2993 | 140 | 1 |
| 6 | 76-6-1161SH | 76-6-704SH | 76-6-407 | 76-6-594 | 76-6-834 | 76-6-2993 | 212 | 1 |
| 9 | 76-9-1161SH | 76-9-704SH | 76-9-407 | 76-9-594 | 76-9-834 | 76-9-2993 | 265 | 1 |
| 15 | 63-15-1161SH | 63-15-704SH | 63-15-407 | 63-15-594 | 63-15-834 | 63-15-2993 | 230 | 2 |
| 30 | 63-30-1161SH | 63-30-704SH | 63-30-407 | 63-30-594 | 63-30-834 | 63-30-2993 | 326 | 2 |
| 45 | 63-45-1161SH | 63-45-704SH | 63-45-407 | 63-45-594 | 63-45-834 | 63-45-2993 | 460 | 2 |
| 75 | 63-75-1161SH | 63-75-704SH | 63-75-407 | 63-75-594 | 63-75-834 | 63-75-2993 | 722 | 2 |
| 112.5 | 63-112-1161SH | 63-112-704SH | 63-112-407 | 63-112-594 | 63-112-834 | 63-112-2993 | 1001 | 2 |
| 150 | 63-150-1161SH | 63-150-704SH | 63-150-407 | 63-150-594 | 63-150-834 | 63-150-2993 | 1255 | 2 |

| General Information | | | | | | | | |
|---------------------|-------------------|-------------------|-------------------|-------------------|-------------------|-------------------|----------------------------|-----------------|
| Pri. | 415 Δ | 415 Δ | 480 Δ | 600 Δ | 600 Δ | 400 Δ | Wgt. (lbs) 60 Hz. | Outline Dwg. |
| Sec. | 208Y/120 | 240 Δ | 480Y/277 | 380Y/220 | 480Y/277 | 600Y/347 | | |
| Hz. | 50/60* | 50/60* | 60 | 60 | 60 | 50/60* | | |
| kVA Cap. | Catalog Number | Catalog Number | Catalog Number | Catalog Number | Catalog Number | Catalog Number | | |
| 3 | 76-3-3117 | 76-3-730 | 76-3-264SH | 76-3-1937 | 76-3-2995SH | 76-3-2996 | 140 | 1 |
| 6 | 76-6-3117 | 76-6-730 | 76-6-264SH | 76-6-1937 | 76-6-2995SH | 76-6-2996 | 212 | 1 |
| 9 | 76-9-3117 | 76-9-730 | 76-9-264SH | 76-9-1937 | 76-9-2995SH | 76-9-2996 | 265 | 1 |
| 15 | 63-15-3117 | 63-15-730 | 63-15-264SH | 63-15-1937 | 63-15-2995SH | 63-15-2996 | 230 | 2 |
| 30 | 63-30-3117 | 63-30-730 | 63-30-264SH | 63-30-1937 | 63-30-2995SH | 63-30-2996 | 326 | 2 |
| 45 | 63-45-3117 | 63-45-730 | 63-45-264SH | 63-45-1937 | 63-45-2995SH | 63-45-2996 | 460 | 2 |
| 75 | 63-75-3117 | 63-75-730 | 63-75-264SH | 63-75-1937 | 63-75-2995SH | 63-75-2996 | 722 | 2 |
| 112.5 | 63-112-3117 | 63-112-730 | 63-112-264SH | 63-112-1937 | 63-112-2995SH | 63-112-2996 | 1001 | 2 |
| 150 | 63-150-3117 | 63-150-730 | 63-150-264SH | 63-150-1937 | 63-150-2995SH | 63-150-2996 | 1255 | 2 |

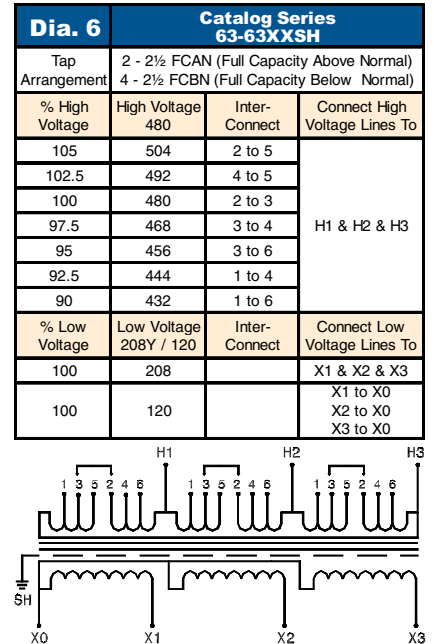
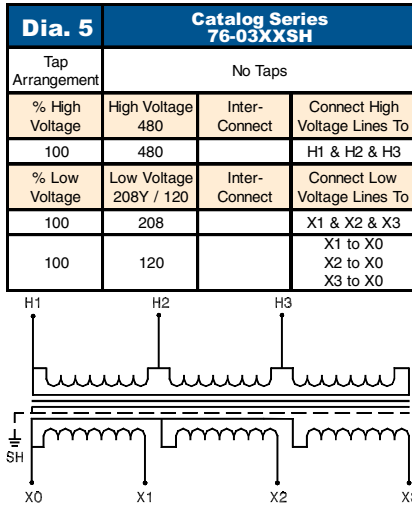
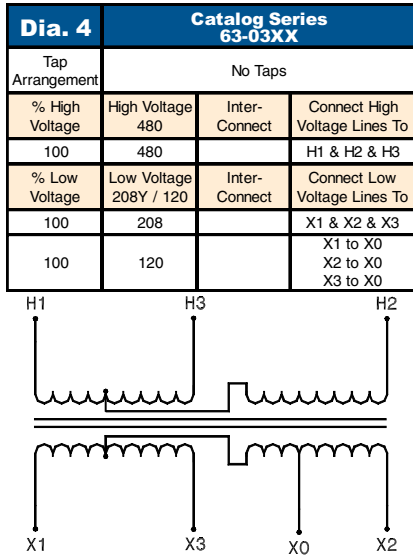
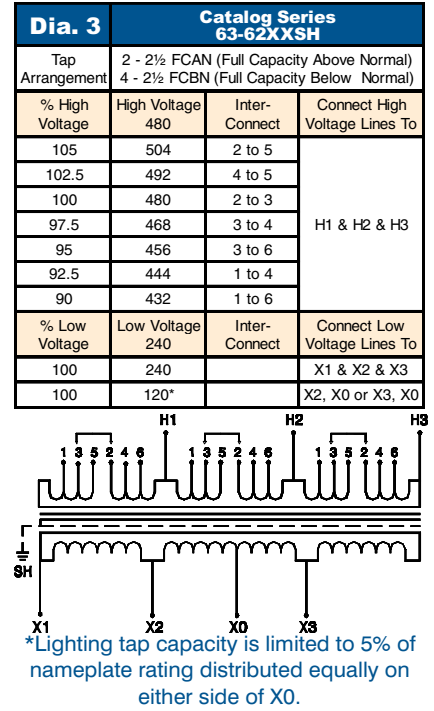
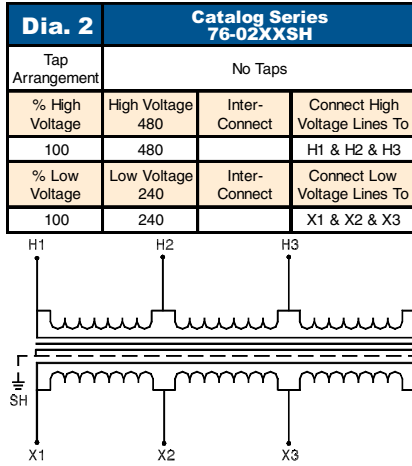
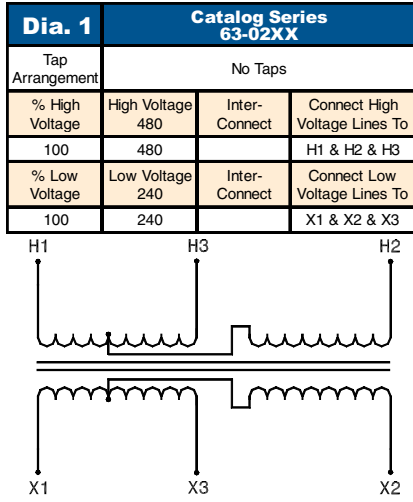
*50/60 Hz. units are approximately 20% heavier than 60 Hz. unit weights shown.

Connection Diagrams furnished upon request.
Please consult the factory or your Dongan
Representative for price, delivery and dimensions.

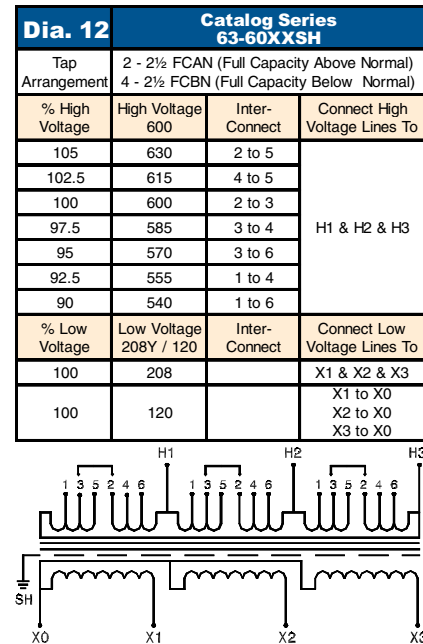
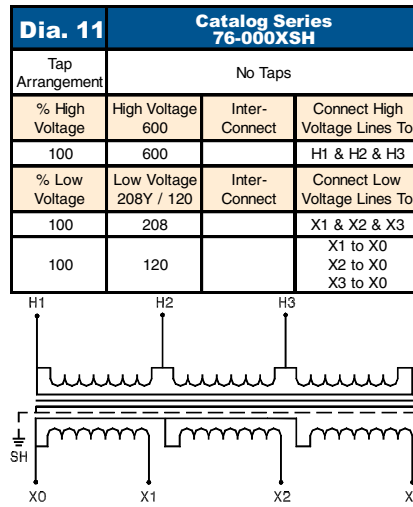
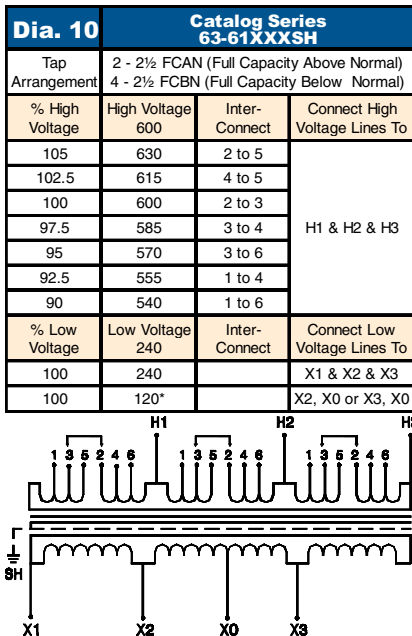
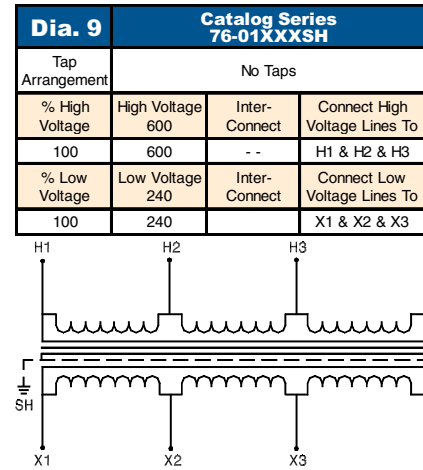
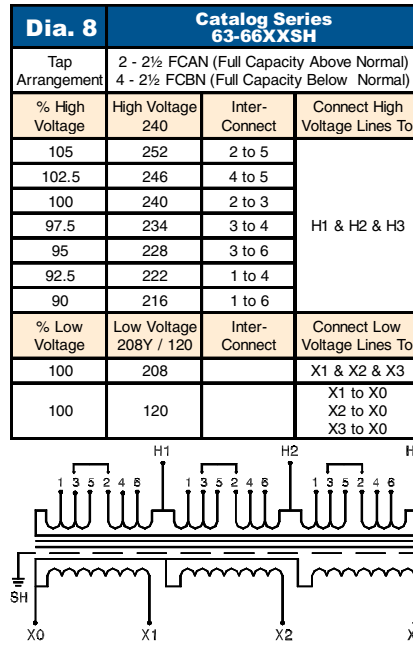
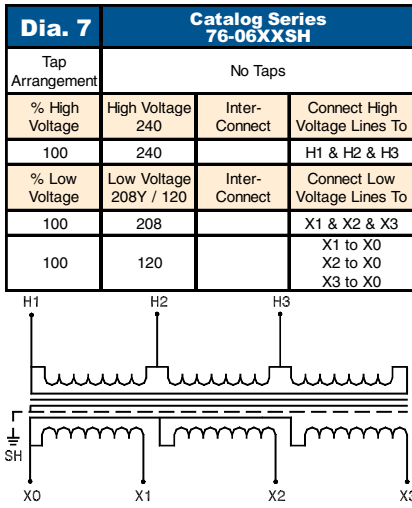
Dongan specializes in rapid delivery of nonstandard kVA, voltage and tap configurations. Send us your request today for a competitive quote on transformers not specifically listed in this catalog. Most special designs are UL listed and CSA certified at no additional cost.

Three Phase Connection Diagrams

DONGAN ELECTRIC MANUFACTURING CO. • 2987 FRANKLIN • DETROIT, MI 48207
 800.428.2626 • 313.567.8500 • FAX 313.567.8828 • www.dongan.com



Three Phase Connection Diagrams



*Lighting tap capacity is limited to 5% of nameplate rating distributed equally on either side of X0.

DONGAN ELECTRIC MANUFACTURING CO. • 2987 FRANKLIN • DETROIT, MI 48207
 800.428.2626 • 313.567.8500 • FAX 313.567.8828 • www.dongan.com