

Specifications

Supply voltage:	120/240 VAC @ 50-60 Hz.
Consumption:	5 watts max.
Display type:	LED, 4.5-digit
Display units:	Engineering
Display height:	.56" digits
LED indication:	Relay status
Calibration:	Digital, push button
Linearization:	(11) point function
Memory:	Non-volatile
Sensor input:	(1) two or three-wire 4-20 mA transmitter
Sensor supply:	24 VDC @ 25 mA
Loop power:	4-20 mA, 18 VDC
Repeater output:	4-20 mA, 24-36 VDC
Contact type:	LI12/3: (2) SPDT relays, latching LI14/5: (4) SPDT relays, latching
Contact rating:	250 VAC @ 2A
Contact delay:	Hysteresis, full scale
Electronics temp.:	F: -40° to 149° C: -40° to 65°
Enclosure type:	1/8 DIN panel meter
Enclosure rating:	NEMA 4X (faceplate)
Encl. material:	Polycarbonate
Classification:	General purpose
UL certificate:	E160849



Description

The general purpose panel meter provides single tank level indication with optional 2 or 4 relays, 4 or 8 set points and an isolated analog repeater. Each relay can be configured on a single set point switch or latched on two set points for automatic fill or empty control. Package the meter with any of our level transmitters. For applications with our higher power three-wire ultrasonic level transmitters, package the meter with our external power supply rated 24 VDC @ 0.6A. One power supply can support up to 3 three-wire transmitters.

Features

- ✓ 4.5 digit LED display indicates level in custom engineering units
- ✓ 11-point linearization function for volumetric tank measurement
- ✓ Fail-safe design with security lock out jumper for process safety
- ✓ 1/8 DIN polycarbonate enclosure with NEMA 4X faceplate



DataView

Ordering

LI1 -1001

Configuration (1) (2) (3)

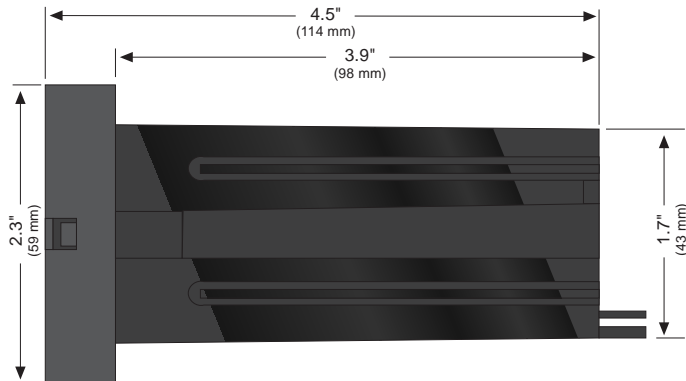
- 0 Meter only
- 1 Meter with 4-20 mA repeater
- 2 Meter with 2 relays
- 3 Meter with 2 relays and 4-20 mA repeater
- 4 Meter with 4 relays
- 5 Meter with 4 relays and 4-20 mA repeater

Ordering Notes

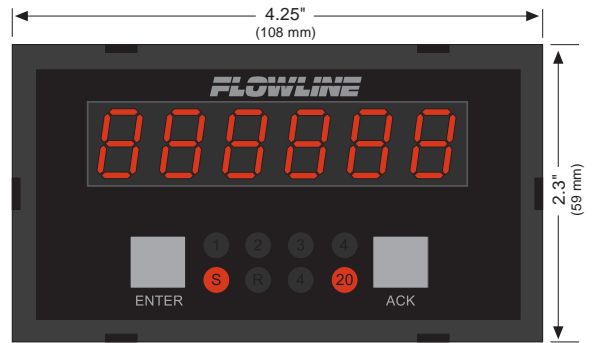
- 1) To factory configure for 240 VAC, place an E at the end of the P/N: (ie: LI10-1001-E).
- 2) For panel mount installation in a NEMA 4X polycarbonate windowed enclosure, order the LM92-1001 (single meter box) or the LM93-1001 (two meter box).
- 3) For three wire transmitter power, order the LC95-1001 (120 VAC) or LC96-1001 (240 VAC) power supply (24 VDC @ 0.6A).

Data View™ Single-Channel Universal Panel Meter

Side View

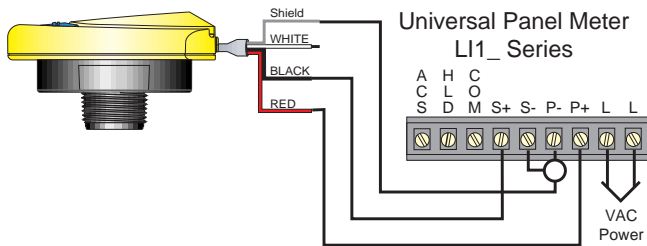


Front View

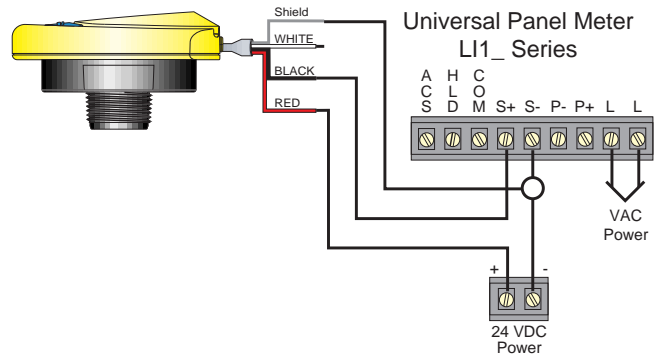


Specifications are subject to change without notice.

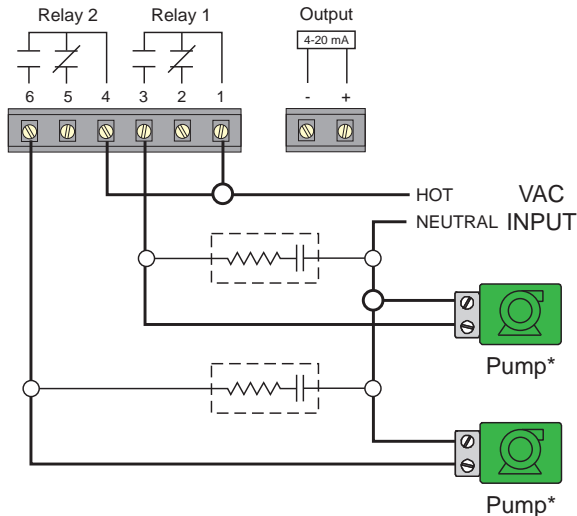
LI1_ to 2-Wire Transmitter



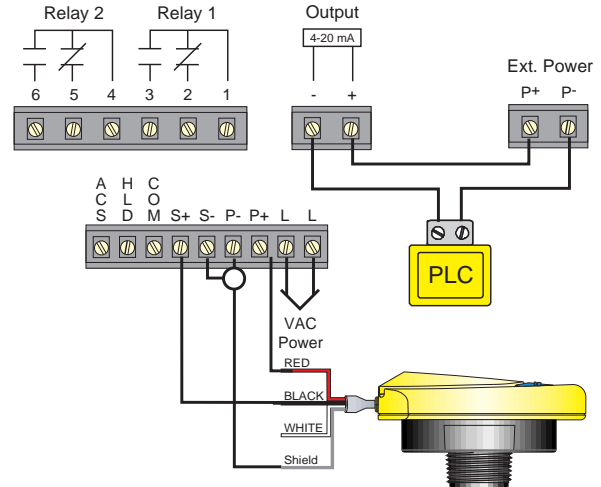
LI1_ to 2-Wire Trans. w/ Ext. Power



LI13 to Two Pumps



LI13 to PLC



Warning: The use of an appropriate motor starter or secondary relay is recommended with pumps, valves or alarms to prevent damage to the relay contacts. The use of suppressors (snubbers) is strictly recommended when switching inductive loads.