



Series 1986DN Gemco® DeviceNet Resolver

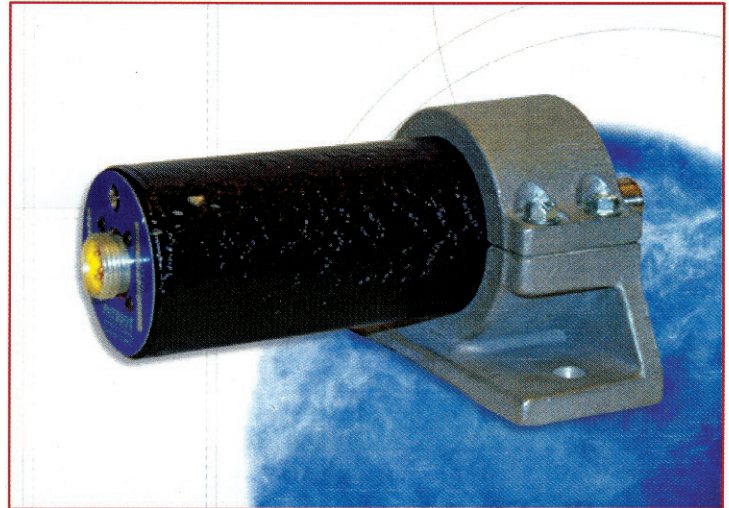
Rugged Resolver with Embedded DeviceNet Node

Series 1986DN Resolver combines the reliability and resolution of a resolver's continuous rotary position sensing with the added flexibility of DeviceNet communications, all in a single device. The resolver technology is proven in such rugged application as a stamping press automation. The rugged housing construction is ideal for harsh industrial environments. All embedded electronics are SMT constructed for the ultimate in reliability.

The 1986DN plugs in as a node on any control system with a DeviceNet Scanner Card. Additional resolvers are added by simply plugging onto the network. Continuous rotary position data is provided with 12 bit resolution. In addition, eight (8) built-in user programmable setpoints allow direct control of critical functions. All programming is done over the DeviceNet network.

The Series 1986DN provides flexibility and cost savings when compared to other methods of continuous position sensing. Each resolver is easy to mount and wire, using mini-change plug connectors, saving over cumbersome traditional resolver cables. Since every DeviceNet network is bus powered, there is no separate power supply to worry about. There are no port concentrators to buy, since all of the sensing and network electronics are embedded within the resolver housing. The 1986DN, with continuous rotary position and eight (8) discrete set-points built-in, plus a DeviceNet scanner card is competitive with a plain resolver and PLC resolver input card. Additional 1986DN units can be added on the same DeviceNet network without adding additional scanner cards, making this approach very attractive when more than one resolver is needed on the same system.

Using the 1986DN Resolver, it is now possible to eliminate programmable limit switches or other added electronic modules. This means savings on equipment and installation with improved reliability, which translates directly to improved productivity and lower costs.

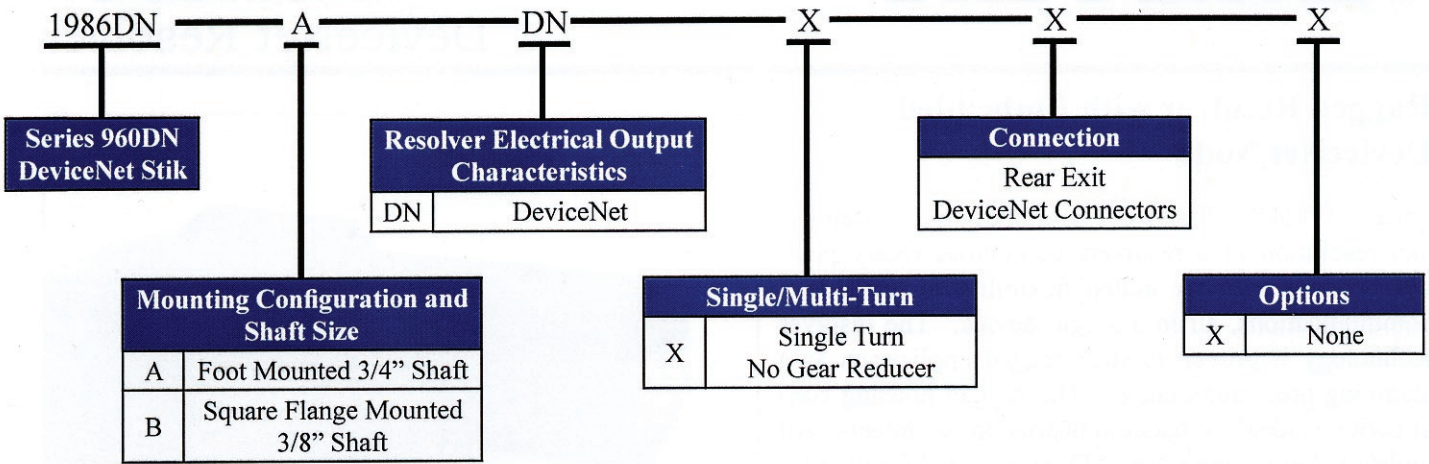


DeviceNet™

CONFORMANCE TESTED

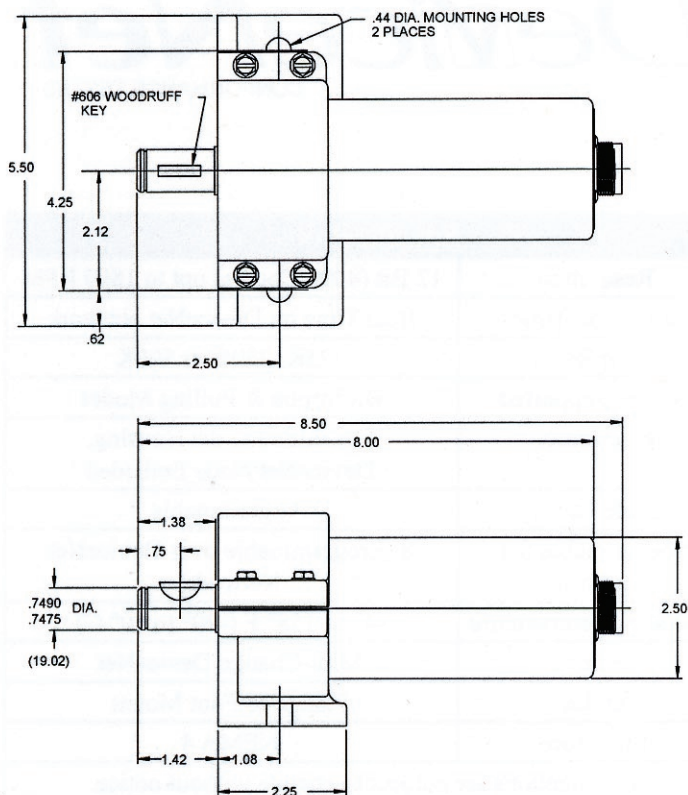
Specifications	
Resolution	12 Bit (4096 Counts) up to 1800 RPM
Response Time	Real Time on DeviceNet Network
Baud Rates	125K, 250K or 500K
Modes Supported	Bit Strobe & Pulling Modes
Electronics	Embedded in the Housing, DeviceNet Node Embedded
Scale Factor	Programmable
Programmable Set-points	8 (Programmable over DeviceNet Network)
Operating Temperature	-4° to 158° F (-20° to 70° C)
Connector	Mini-Change DeviceNet
Styles	Flange or Foot Mount
Enclosure	NEMA 4
Specifications are subject to change without notice.	

Series 1986DN Part Numbers

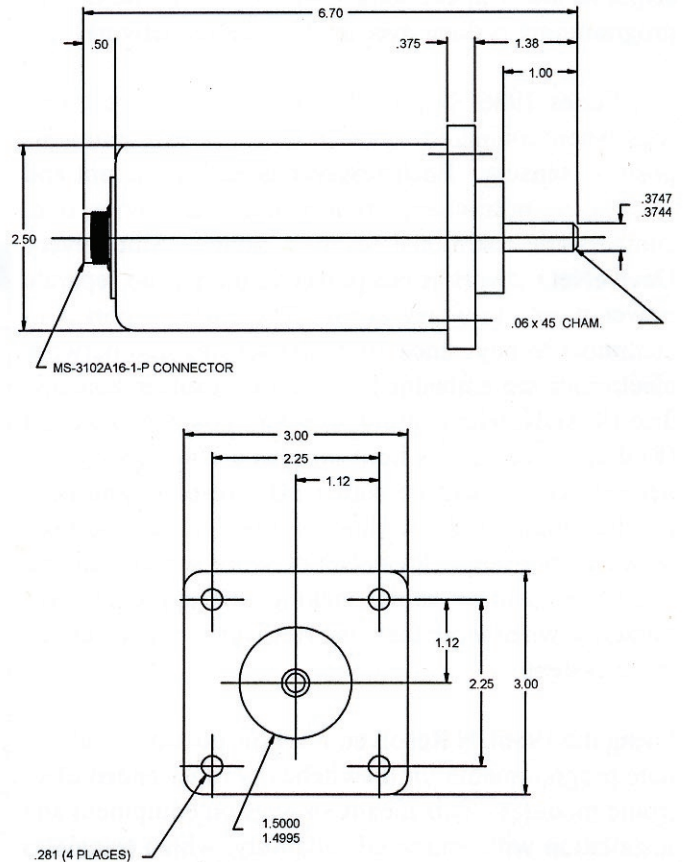


Dimensions

Foot Mount



Flange Mount



1080 North Crooks Road • Clawson, MI 48017 USA
 800-635-0289 • 248-435-0700 • Fax: 248-435-8120
 www.ametekapt.com • www.ametek.com

1286
 1986DN.B1R1
 01/03 • Z135
 1M