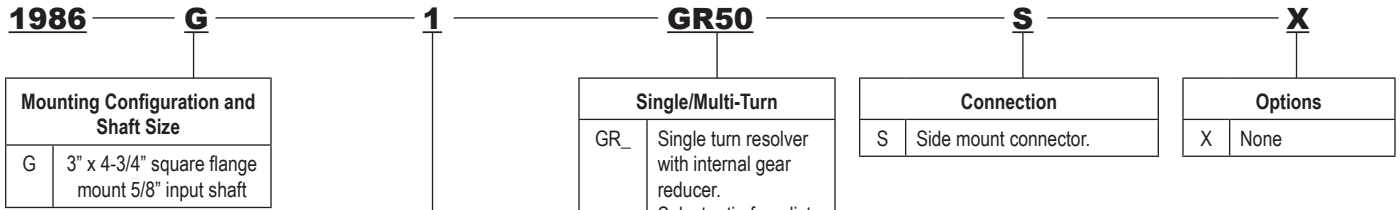


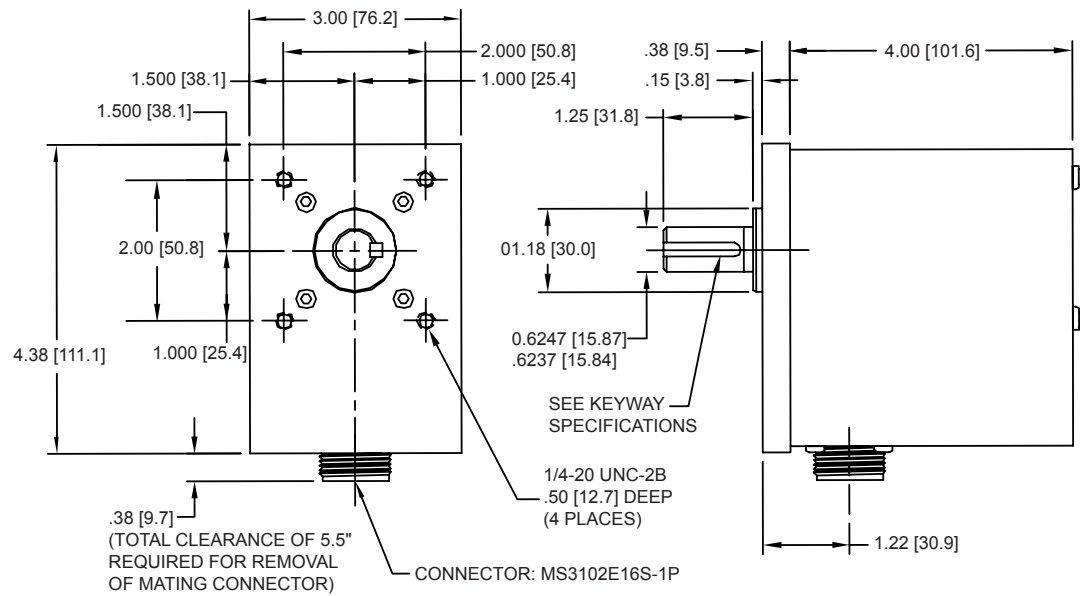
G Series



| Resolver Electrical Output Characteristics | |
|--|--|
| 1 | Standard output compatible with all Gemco electronic modules and Autotech. Resolver No. 04535001 |
| 2 | Special output compatible with AMCI resolver input devices. Resolver No. 04535076 |
| 3 | Special output compatible with GE axis positioning modules. Resolver No. 04535044 |
| 4 | Special output compatible with Modicon motion cards. Resolver No. 04535051 |
| 5 | Special output compatible with Reliance resolver input card. Resolver No. 04535023 |
| 6 | Special output compatible with Namco resolver input card. Resolver No. 04535053 |

| Single Resolver Gear Reducers | | | |
|-------------------------------|------|------|-------|
| 2:1 | 7:1 | 16:1 | 64:1 |
| 2.5:1 | 8:1 | 20:1 | 100:1 |
| 3:1 | 9:1 | 24:1 | 105:1 |
| 4:1 | 10:1 | 36:1 | 150:1 |
| 4.8:1 | 12:1 | 40:1 | 250:1 |
| 5:1 | 13:1 | 50:1 | 256:1 |
| 6:1 | 15:1 | 60:1 | |

| Wiring | | |
|----------------------------|-------|--------------|
| GEMCO and GE Resolvers | | |
| Pin | Rotor | Wire Color |
| A | R1 | Red/White |
| B | R2 | Yellow/White |
| C | S3 | Black |
| D | S1 | Red |
| E | S2 | Yellow |
| F | S4 | Blue |
| AMCI and Modicon Resolvers | | |
| A | R2 | Yellow/White |
| B | R1 | Red/White |
| E | S4 | Blue |
| C | S2 | Yellow |
| F | S3 | Black |
| G | S1 | Red |
| Namco Resolvers | | |
| A | R1 | Red/White |
| B | R2 | Yellow/White |
| C | S4 | Blue |
| E | S2 | Yellow |
| F | S1 | Red |
| G | S3 | Black |
| Reliance Resolvers | | |
| A | R1 | Red/White |
| B | R2 | Yellow/White |
| F | S3 | Black |
| D | S1 | Red |
| G | S2 | Yellow |
| E | S4 | Blue |



[] = DIMENSIONS IN MILLIMETERS